

SUBMITTALSHEET

Form Number DS6081.4 Effective Date 3/15

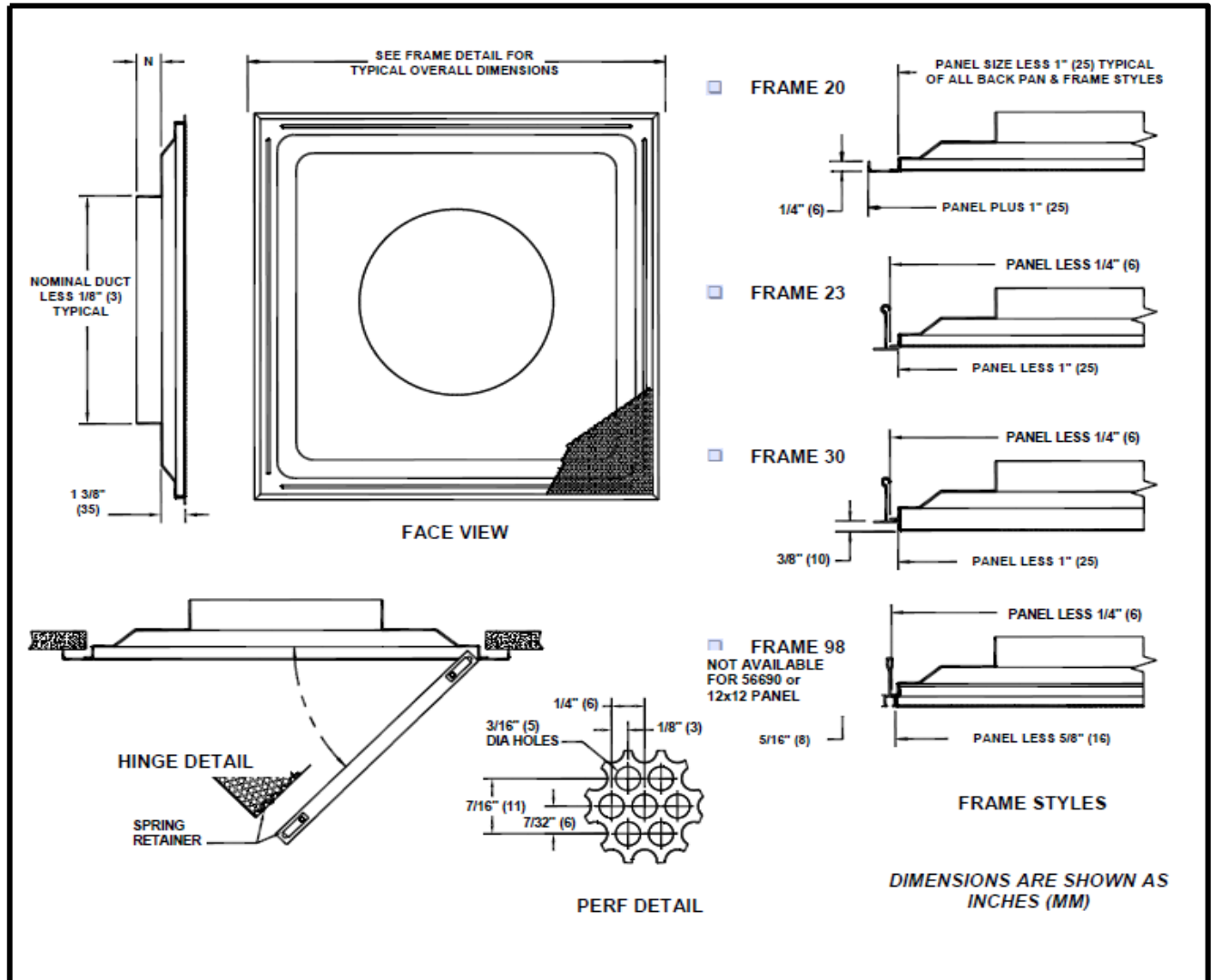
Replaces FORM DS6081.3

JOB NAME _____
 ARCHITECT _____
 ENGINEER _____
 CONTRACTOR _____



6690 / 56690 SERIES Perforated Return with Round Neck

12X12 OR 24x24 PANEL



	PANEL SIZES					
	*12x12 (305x305)	16x16 (406x406)	20x20 (508x508)	*24x24 (610x610)	24x12 (610x305)	48x24(1219x610)
INLET SIZES AVAILABLE	6" (152)	SEE FORM DS6083		6" (152)	SEE FORM DS6083	
				8" (203)		
				10" (254)		
				12" (305)		
				14" (356)		
				16" (406)		

- NOTE :**
- 6690 CONSTRUCTION IS ALL STEEL.
 - *56690 IS STEEL CONSTRUCTION WITH ALUMINUM PERF AVAILABLE IN 12x12 AND 24X24 PANEL SIZE ONLY. FRAME 98 OPTION IS NOT AVAILABLE.
 - WHEN USING FLEX DUCT WITH HARD CEILING PLEASE ORDER F23 WITH CORRESPONDING (5)HCF23 PLASTER FRAME.

SPECIFIED INLET	N
6" / 8"	1 1/4" (32)
10" / 12" / 14" / 16"	1 1/2" (38)