

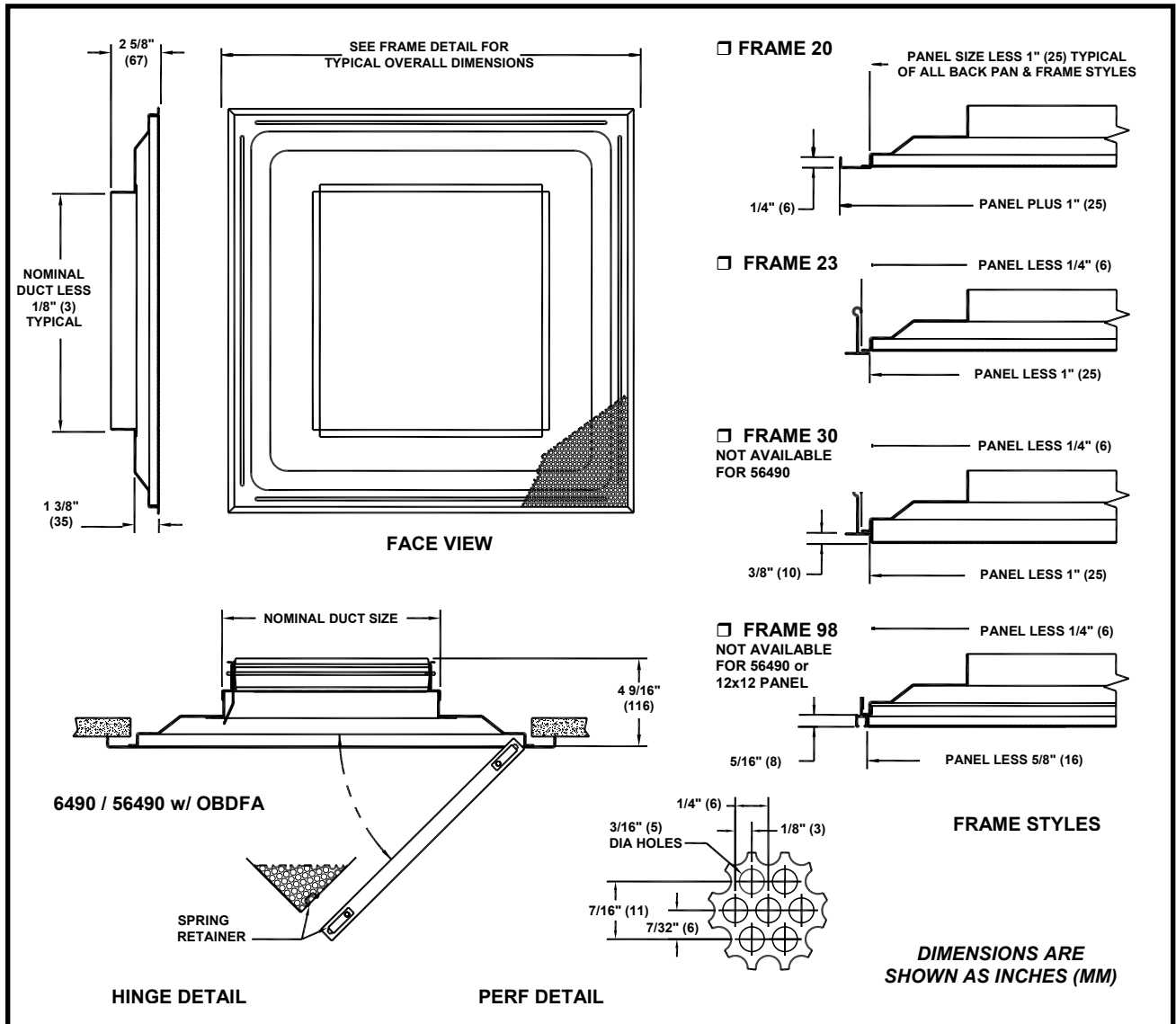
JOB NAME _____
 ARCHITECT _____
 ENGINEER _____
 CONTRACTOR _____
 LOCATION _____

SUBMITTAL SHEET
 Form Number DS6019.2 Effective Date 6/06
 Replaces FORM DS6019.1



6490 / 56490 SERIES
Perforated Return, Square Neck

12x12 or 24x24
PANEL



	PANEL SIZES					
	12x12 (305x305)	16x16 (406x406)	20x20 (508x508)	24x24 (610x610)	24x12 (610x305)	48x24(1219x610)
INLET SIZES AVAILABLE	6x6 (152x152)	SEE FORM DS6021 FOR ADDITIONAL SIZES AVAILABLE	SEE FORM DS6021 FOR ADDITIONAL SIZES AVAILABLE	6x6 (152x152)	SEE FORM DS6021 FOR ADDITIONAL SIZES AVAILABLE	SEE FORM DS6021 FOR ADDITIONAL SIZES AVAILABLE
	10x10 (254x254)			8x8 (203x203)		
				10x10 (254x254)		
				12x12 (305x305)		
				14x14 (356x356)		
				15x15 (381x381)		
				16x16 (406x406)		
				18x18 (457x457)		
	22x22 (559x559)					

- NOTES :**
- 6490 CONSTRUCTION IS ALL STEEL.
 - 56490 CONSTRUCTION IS STEEL WITH ALUMINUM PERF AND AVAILABLE IN 12x12 OR 24x24 PANEL SIZES ONLY.
 - OBDFA STEEL LEVER OPERATED OPPOSED BLADE DAMPER IS OPTIONAL.
 - STANDARD FINISH IS BRITISH WHITE.